

VILPE® FLOW

A NEW LEVEL OF PERFORMANCE

UP TO 40% LESS PRESSURE LOSS

UP TO 12% ANNUAL ENERGY SAVINGS

EXCELLENT WATER SEPARATION

THE RESULT OF INTENSIVE DEVELOPMENT

REDESIGNED MODERN AESTHETICS

VILPE®-warranty:

10 -year
aesthetic
warranty

20 -year
technical
warranty

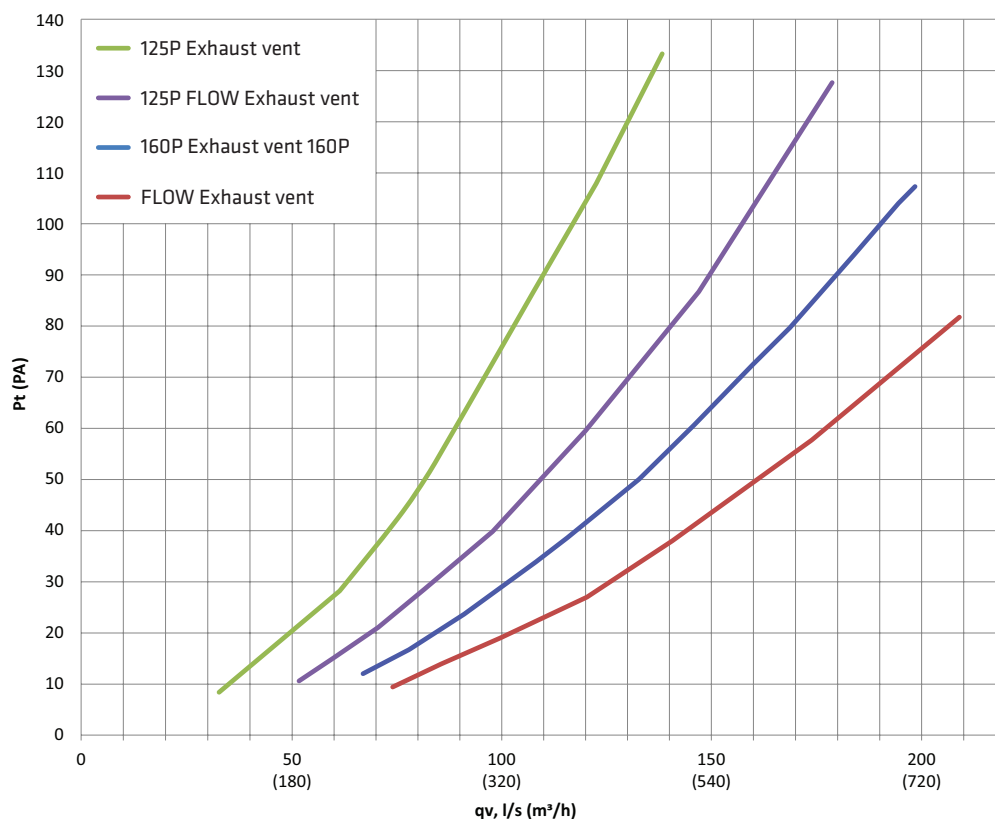
SAVE ENERGY

High quality ventilation products
with superior performance!

A NEW LEVEL OF PERFORMANCE
AND ENERGY SAVINGS

VILPE® FLOW

Exhaust performance comparison, l/s (m³/h)



The VILPE® exhaust ventilation pipes and roof fans have been pioneering products in the marketplace since the 1980s. You could say that over the decades, VILPE® products have become a part of the national landscape of Finland. We at SK Tuote take our position as an industry leader seriously and feel it is our duty to continuously strive for better indoor air, improved energy efficiency and longer-lasting structures for all buildings. Now is the time to take the step to the 21st century in ventilation terminal performance!



LESS PRESSURE LOSS

The FLOW product line has up to 40% less pressure loss when compared to traditional VILPE® products. This reduces the amount of energy used in ventilation and allows for greater air volumes when needed. For example 160mm FLOW exhaust vent (360 m³/h, 30Pa vs. 20Pa): Exhaust vents with the new FLOW-cowl have approximately 33% better pressure loss characteristics at 360 m³/h comparing to the traditional version. The payback period from energy savings for the new FLOW exhaust vents is approximately 3 years when compared to the traditional model.

UP TO 12% ANNUAL ENERGY SAVINGS

The FLOW products combined with the VILPE® Intake vent reduce the energy consumed by ventilation systems by up to 12% when compared to existing products on the market. Lower energy consumption leads to direct savings in the electricity bill and also reduces the environmental impact each year. You can find more example calculation at vilpe.com/flow.

EXCELLENT WATER SEPARATION

The intensive airflow testing and clever design of the FLOW product line results in unmatched water

separation and a perfect vertical airflow. This makes the products more effective at keeping rainwater and humidity out, while the vertical exhaust airflow pushes any impurities away from the roof and facade.

THE RESULT OF INTENSIVE DEVELOPMENT

The unmatched performance of FLOW product line is the result of three years of intensive development. Extensive airflow simulations were conducted using VTT's Linux supercomputer cluster, among other resources. During the three year development period, 30 different versions of 3D designs were created, of which 13 were made into 3D-printed prototypes and tested by SK Tuote. Only the fittest survived this evolution.

REDESIGNED MODERN AESTHETICS

The modern design language of the VILPE® FLOW product range was created in collaboration with well-known industrial designers. All future VILPE® ventilation products will feature the new performance driven design.

**Available from the
1st of March 2018**

The P- and S- series FLOW products will be available for sale from the 1st of March initially in diameters 110 mm, 125 mm and 160 mm. Future products will include 200 mm and 250 mm versions.

Further information:
Sales and technical support
Tel. +358 20 123 3222
sales@vilpe.com



VILPE®
Innovative and Easy

VILPE® Flow product range

AVAILABLE Q1 2018:

EXHAUST VENT PIPES:

125P/IS/500 FLOW exhaust ventilation pipe
 160P/IS/500 FLOW exhaust ventilation pipe
 125S FLOW exhaust vent + installation set 250 x 250
 160S FLOW exhaust vent + installation set 300 x 300

AVAILABLE Q3 2018:

ROOF FANS:

ECo Ø125P/500 FLOW roof fan (equivalent to ECo190P)
 ECo Ø160P/500 FLOW roof fan (equivalent to ECo220P)
 ECo Ø125S FLOW roof fan + installation set (equivalent to ECo190S)
 ECo Ø160S FLOW roof fan + installation set (equivalent to ECo220S)

AVAILABLE Q3 2018:

XL EXHAUST VENT PIPES:

160P/IS/500 FLOW XL exhaust ventilation pipe
 200P/IS/500 FLOW XL exhaust ventilation pipe
 250P/IS/500 FLOW XL exhaust ventilation pipe

200S FLOW exhaust vent + installation set 400 X 400
 250S FLOW exhaust vent + installation set 400 X 400

ROOF FANS:

ECo Ø200P/500 FLOW XL roof fan (equivalent to ECo250P)
 ECo Ø200S FLOW roof fan + installation set (equivalent to ECo250S)
 ECo Ø110P/500 FLOW roof fan (radon fan)

VILPE® standard colours



Black
 Reference colour RAL 9017 (dE 1,17)



Brown
 Reference colour RAL 8017 (dE 2,33)



Green
 Reference colour RAL 6020 (dE 1,91)



Grey
 Reference colour RAL 7015 (dE 2,11)



Red
 Reference colour RAL 3009 (dE 4,92)



Brick red
 Reference colour RAL 8004 (dE 2,08)

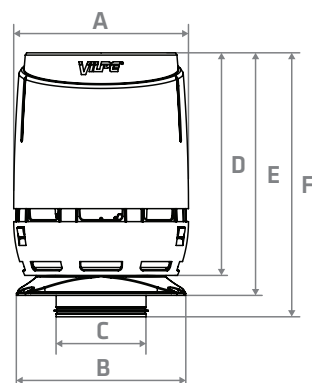


Light grey
 Reference colour RAL 7040 (dE 0,54)

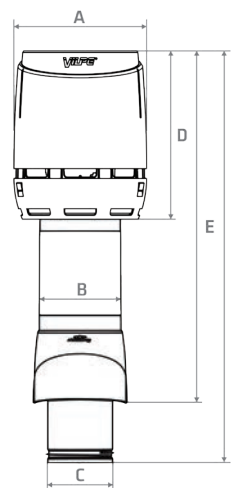
Material

VILPE® Flow products are manufactured from non-corrosive, weather and shockproof, recyclable and UV-protected polypropylene plastic (PP).

Dimensions



mm	A	B	C	D	E	F
125S FLOW	256	250	125	325	371	403
160S FLOW	310	300	160	394	430	468



mm	A	B	C	D	E	F
125P FLOW	256	160	125	325	608	753
160P FLOW	310	225	160	394	638	788

VILPE.COM

Further information:

Sales and technical support
 sales@vilpe.com
 Tel. +358 20 123 3222